

# 4 Channel Hermaphroditic Fiber Optic Cable Connectors

### Description:

Fiber optic cable connectors for harsh environment applications

### Applications:

- Commercial broadcast cable
- Military tactical field usage
- Petroleum field exploration
- Field deployment
- Shipboard/pierside

### Features:

Genderless .....Cable connectors will link (concatenate) connection to identical connectors without regard to connector gender

Channel count .....2 or 4 fiber optic channels

Fiber type .....Both single and multimode compatible in compatibility the same connector

Ruggedness .....Designed to withstand crush, impact, cable pull-out, cable twist, bending moment, water and mud immersion, and many other harsh environments

Reliability .....Proven performance in harsh environments



For more information, please contact us or visit our website at [www.delphiconnect.com](http://www.delphiconnect.com).

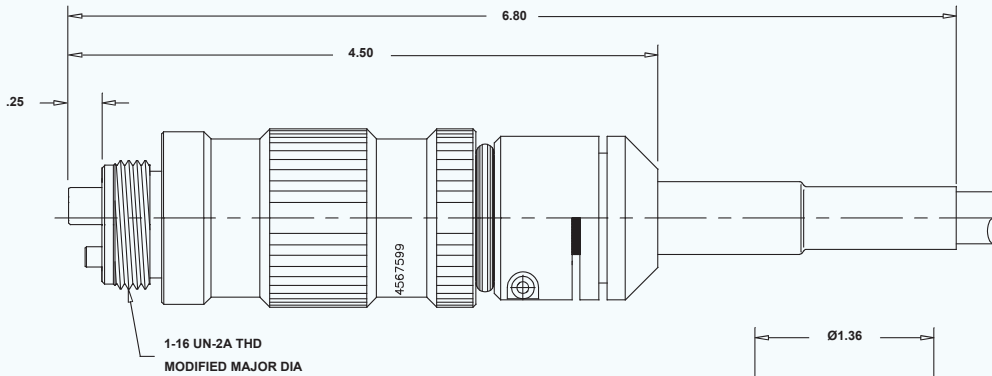
### Connector Performance Criteria:

<b>Optical Insertion Loss</b>	9/125 SM Fiber -0.25 dB avg., 62.5/125 MM Fiber -0.6 dB avg. Note - Values measured at 1300 nm per TIA/EIA-455-34
<b>Optical Backreflection (sm)</b>	Better than -40 dB with PC polish, better than -50 dB with enhanced PC polish
Mating Durability	1000 cycles minimum per TIA/EIA-455-21
Vibration	Per MIL-STD-1344, Method 2005, Condition II & VI-A
Mechanical Shock	Per TIA/EIA-455-2, Method C
Thermal Shock	-54°C to +85°C* per TIA/EIA-455-3, test condition A
Operating Temperature Range	-54°C to +85°C*
Storage Temperature	-65°C to +85°C*
Corrosion Resistance	500 hours salt spray per TIA/EIA-455-16
Ozone Exposure	ASTM-D-1149, 100-150 PPM for 2 hours
Temperature Humidity	Per TIA/EIA-455-5, type 2
Crush Resistance	225 pounds per TIA/EIA-455-26
Maintenance Aging	10 contact insertions/removals per MIL-STD-1344, Method 2002
Terminus (Contact) Retention Force	22 pounds minimum per MIL-STD-1344, Method 2007
Cable Retention	400 pounds minimum per TIA/EIA-455-6 (depending on cable construction)
Cable Seal Flexing	100 cycles per MIL-STD-1344, Method 2017
Cable Twist	1000 cycles per TIA/EIA-455-36
External Bending Moment	45 ft-lb at mounting panel
Impact	Per TIA/EIA-455-2
Water Pressure Sealing	Up to 25 PSI for 48 hours
Fluid Immersion	24 hours per fluid, per TIA/EIA-455-12

\* Temperature ranges listed above are limited by the fiber optic cable performance window.

# 4 Channel Hermaphroditic Fiber Optic Cable Connectors

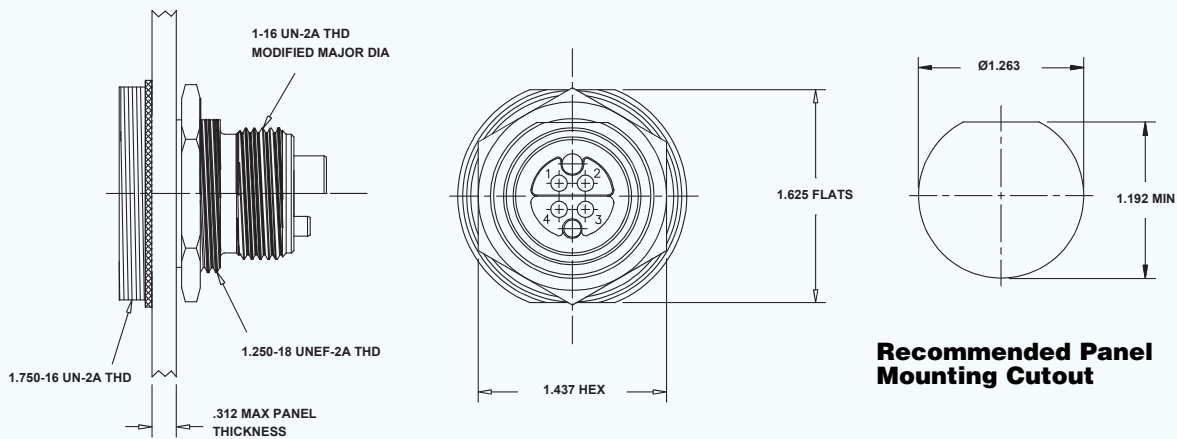
## Cable Plug



## Coupling Nut Shown in Retracted Position

## Interface View

## Receptacle, Jam Nut Mount



## Recommended Panel Mounting Cutout

# DELPHI

[www.delphiconnect.com](http://www.delphiconnect.com)

Connection Systems

17150 Von Karman Avenue

Irvine, CA 92614 USA

Tel: [1] 949.660.5701

Fax: [1] 949.660.5825



Printed on Recycled Paper.  
 © 2001, Delphi Automotive Systems. All rights reserved.  
 Printed in the U.S.A.  
 DP-01-E-018 0401/5M-YL